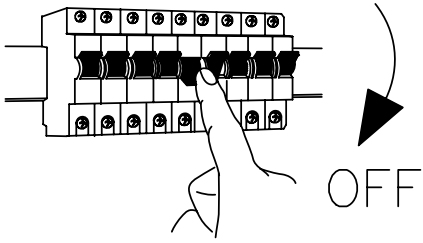
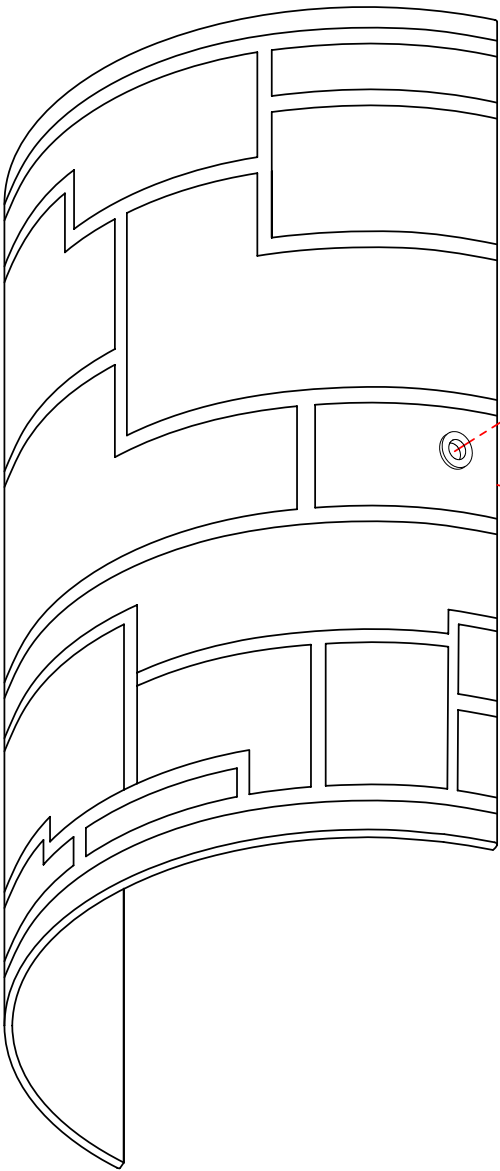


B

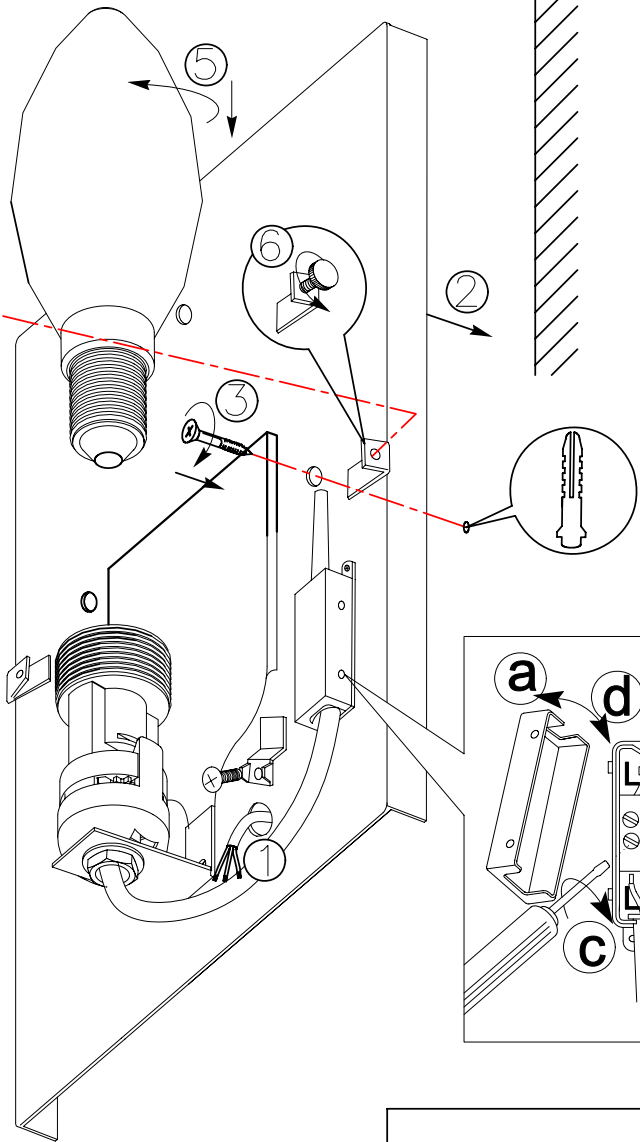
OFF

A

7



8

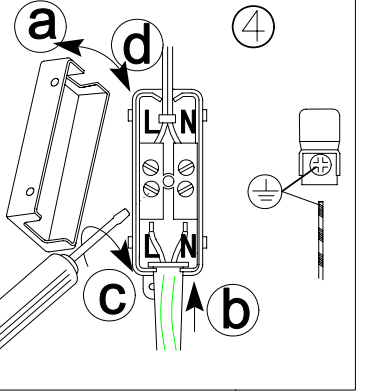


5

6

3

2



a

d

4

c

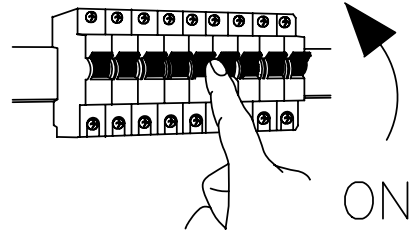
b

L

N

L

N

C

ON

BLA92564